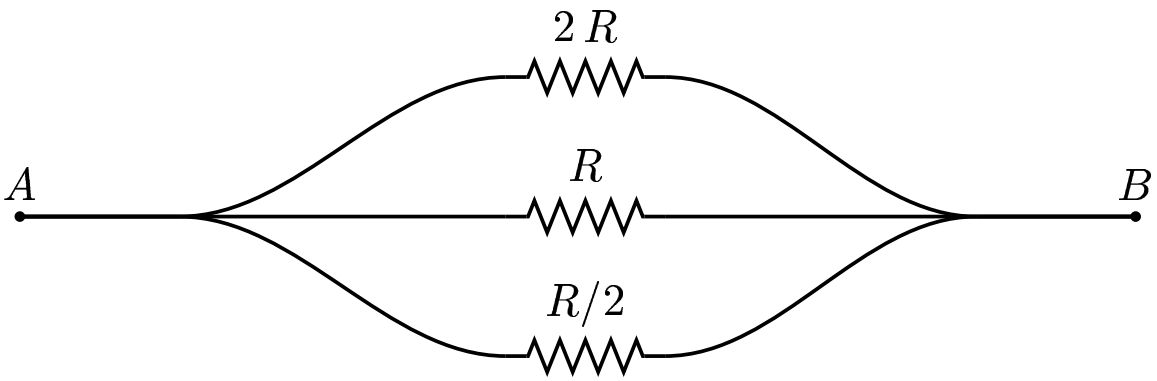


What is the resistance R_{AB} ?

- A) $R_{AB} = \frac{2}{3} R$
- B) $R_{AB} = \frac{3}{5} R$
- C) $R_{AB} = \frac{2}{5} R$
- D) $R_{AB} = \frac{3}{7} R$
- E) $R_{AB} = \frac{2}{7} R$



$$R_{AB} = \frac{1}{\frac{1}{2R} + \frac{1}{R} + \frac{2}{R}} = \frac{1}{\frac{1}{2R} + \frac{2}{2R} + \frac{4}{2R}} = \frac{2}{7} R.$$

Answer **E**.

28.02-03 Equivalent Diagram 2004-3-24