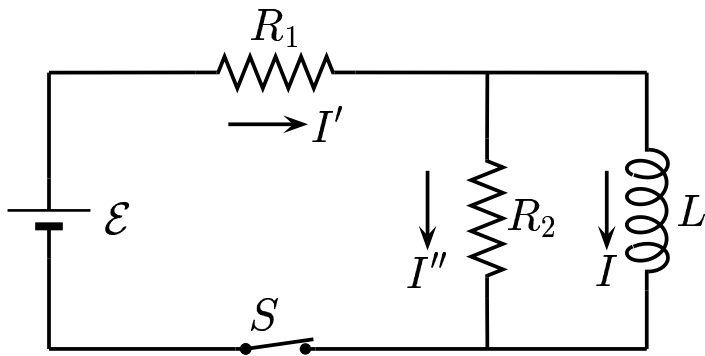


Consider the RL circuit shown. Close S at $t = 0$.



Find the current I through L at $t = 0_+$.

- A) $I = 0$.
- B) $I = \frac{\mathcal{E}}{R_1}$.
- C) $I = \frac{\mathcal{E}}{R_1 + R_2}$.

At $t = 0_+$, since the flux in L is still 0, this implies that $I = 0$. Digression:
By inspection

$$V_L = \frac{R_2}{R_1 + R_2} \mathcal{E}$$

Answer **A**.

32.02-02 RL Circuit with 2 Loops 2004-10-26