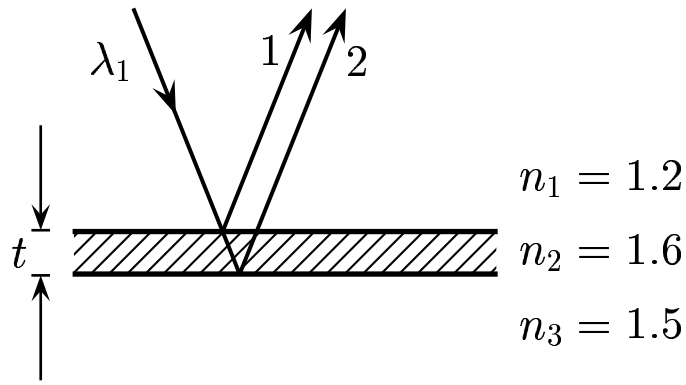


The incident ray is essentially perpendicular to the surface.



Determine ϕ_{refl} .

- A) $\phi_{refl} = 0$
- B) $\phi_{refl} = \frac{\pi}{2}$
- C) $\phi_{refl} = \pi$
- D) $\phi_{refl} = \frac{3\pi}{2}$

In this case, $\phi_{refl} = |\pi - 0| = \pi$
Answer **C**.